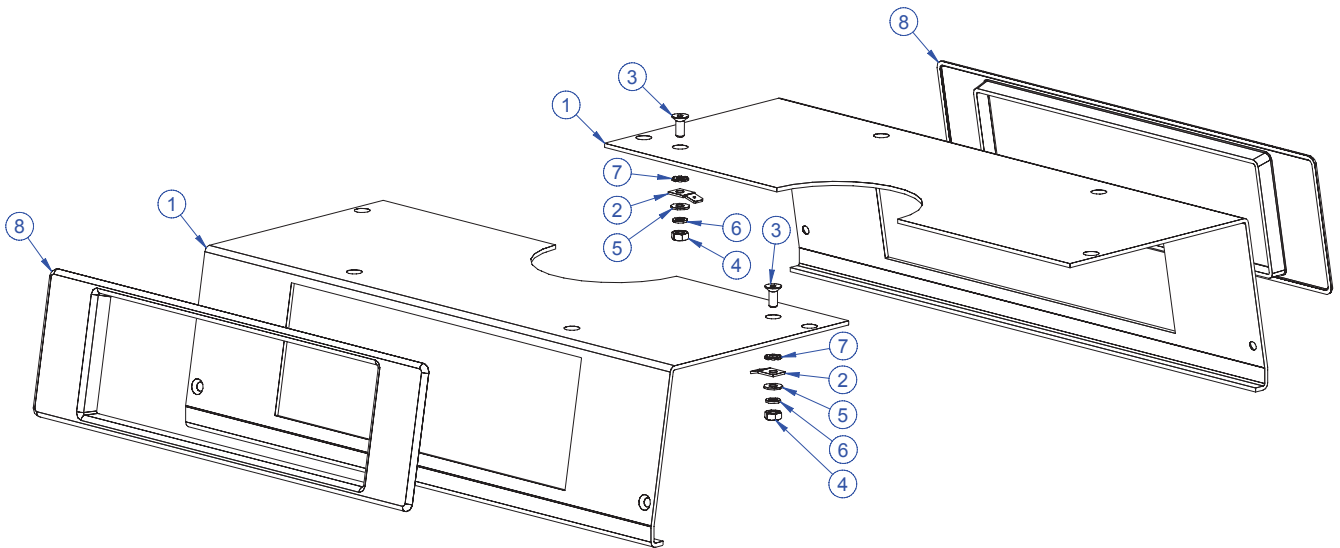
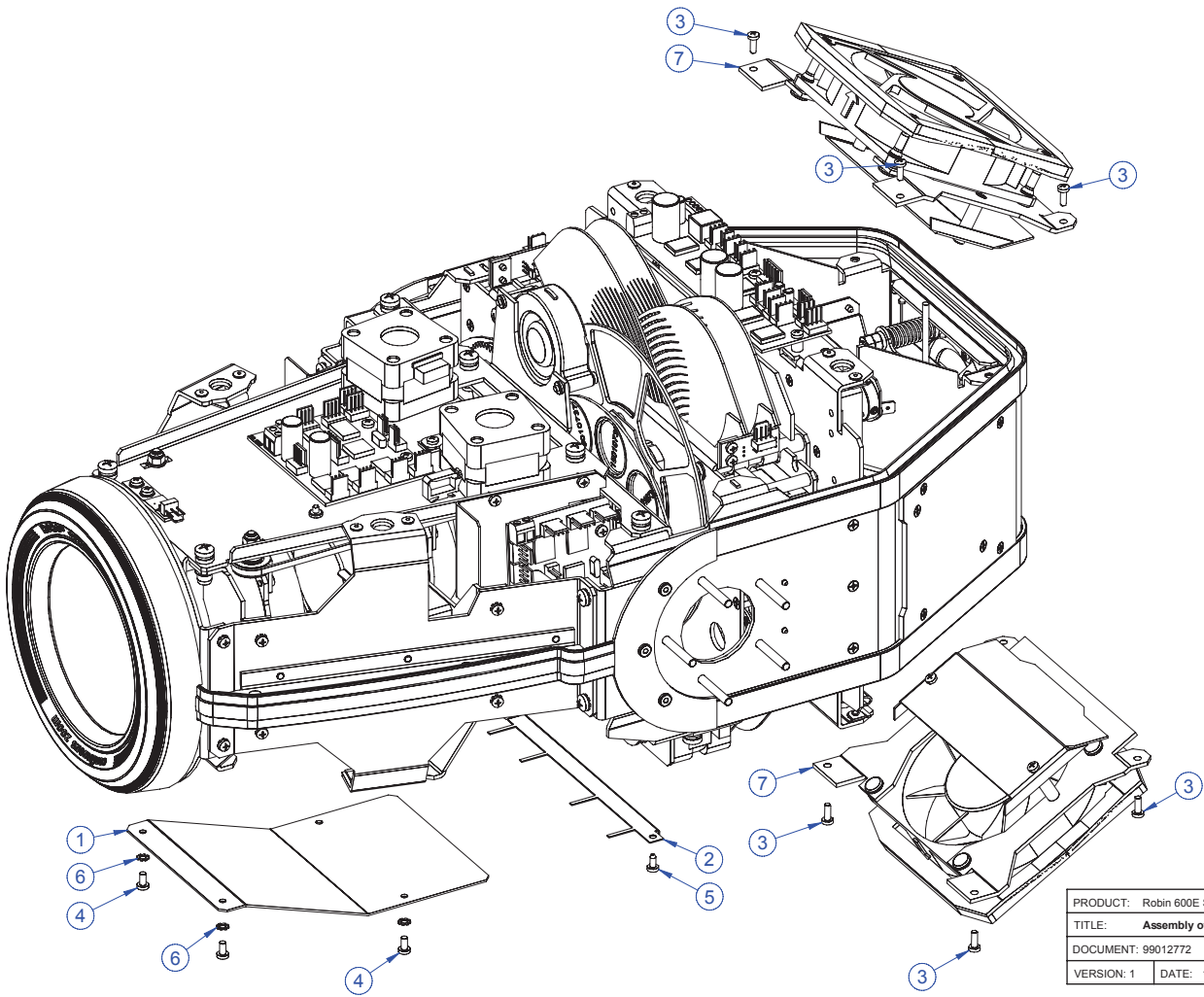


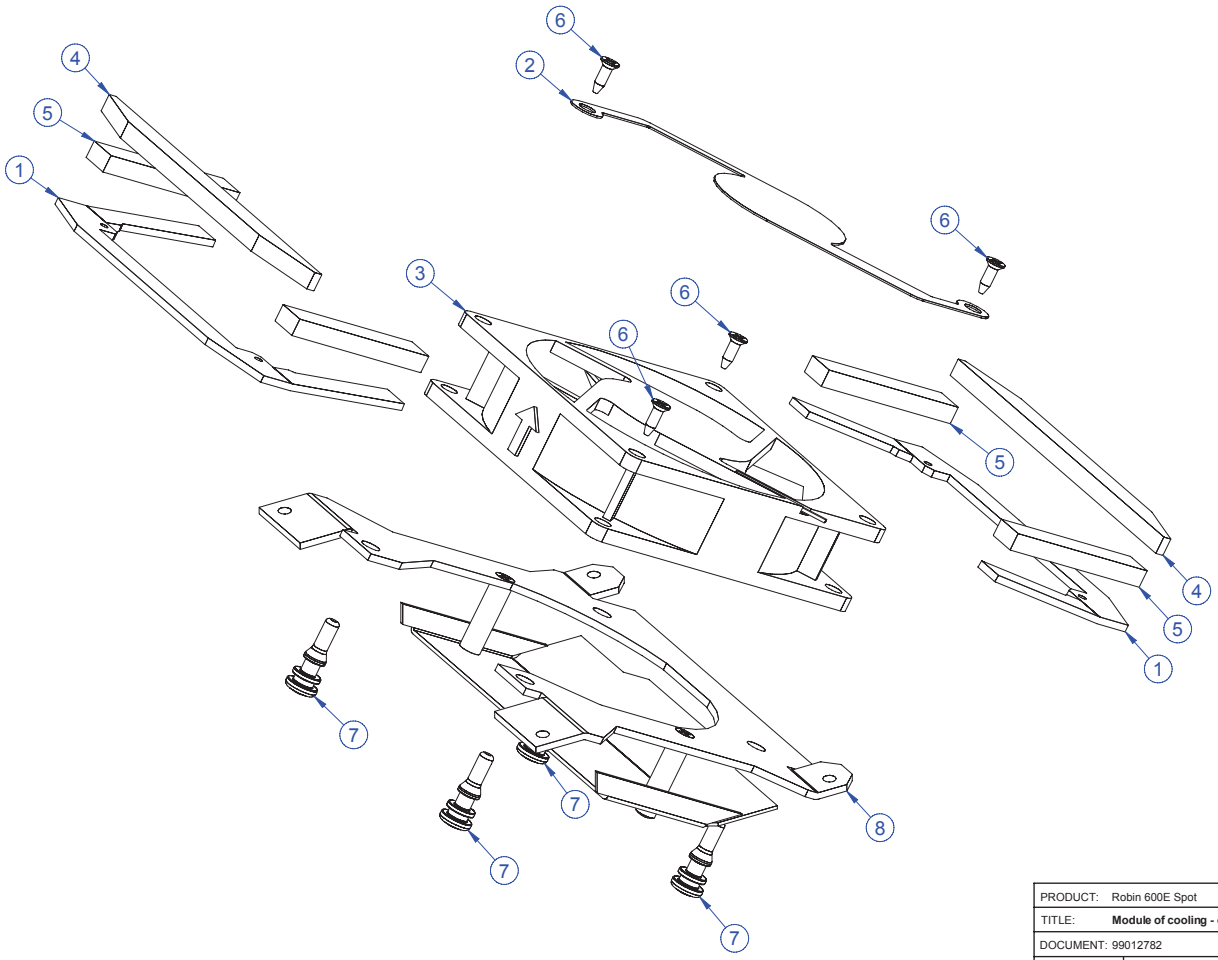
PRODUCT: Roblin 600E Spot		
TITLE: Covers of head		
DOCUMENT: 99012794		
VERSION: 1	DATE: 10.09.2010	SHEET: 02 OF 34



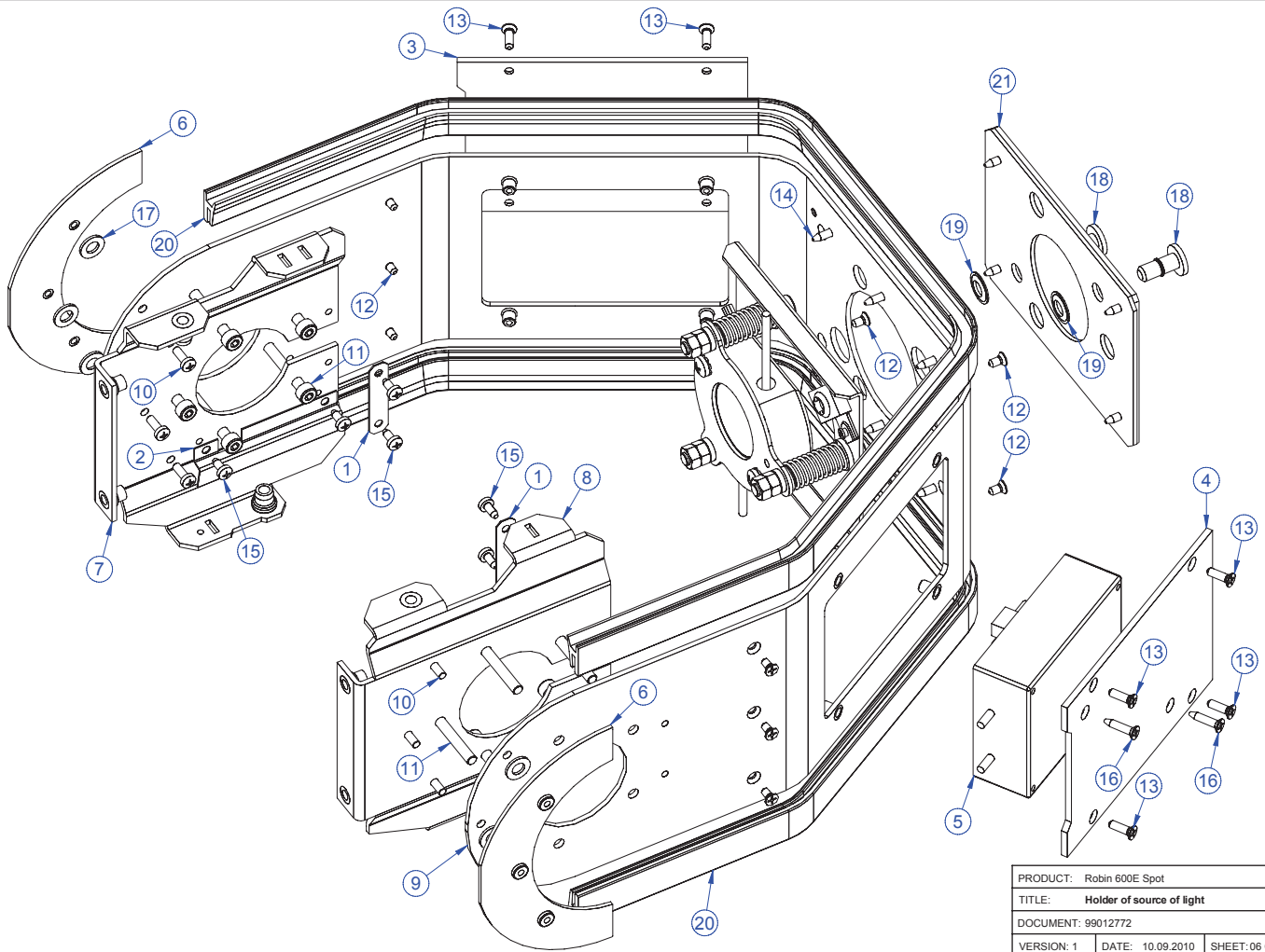
PRODUCT: Robin 600E Spot		
TITLE: Covers of base		
DOCUMENT: 99012774		
VERSION: 1	DATE: 10.09.2010	SHEET: 03 OF 34



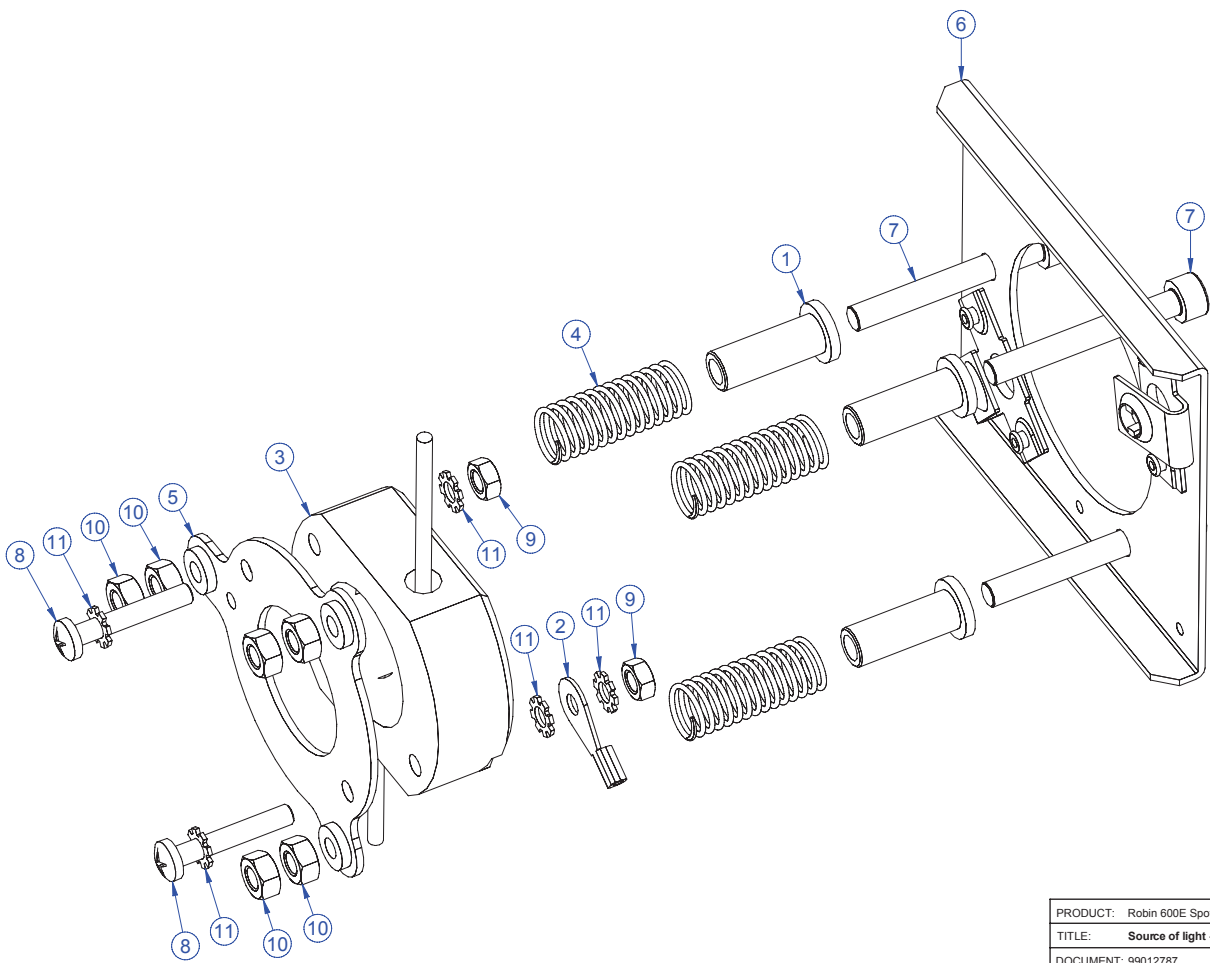
PRODUCT: Robin 600E Spot		
TITLE: Assembly of head		
DOCUMENT: 99012772		
VERSION: 1	DATE: 10.09.2010	SHEET: 04 OF 34



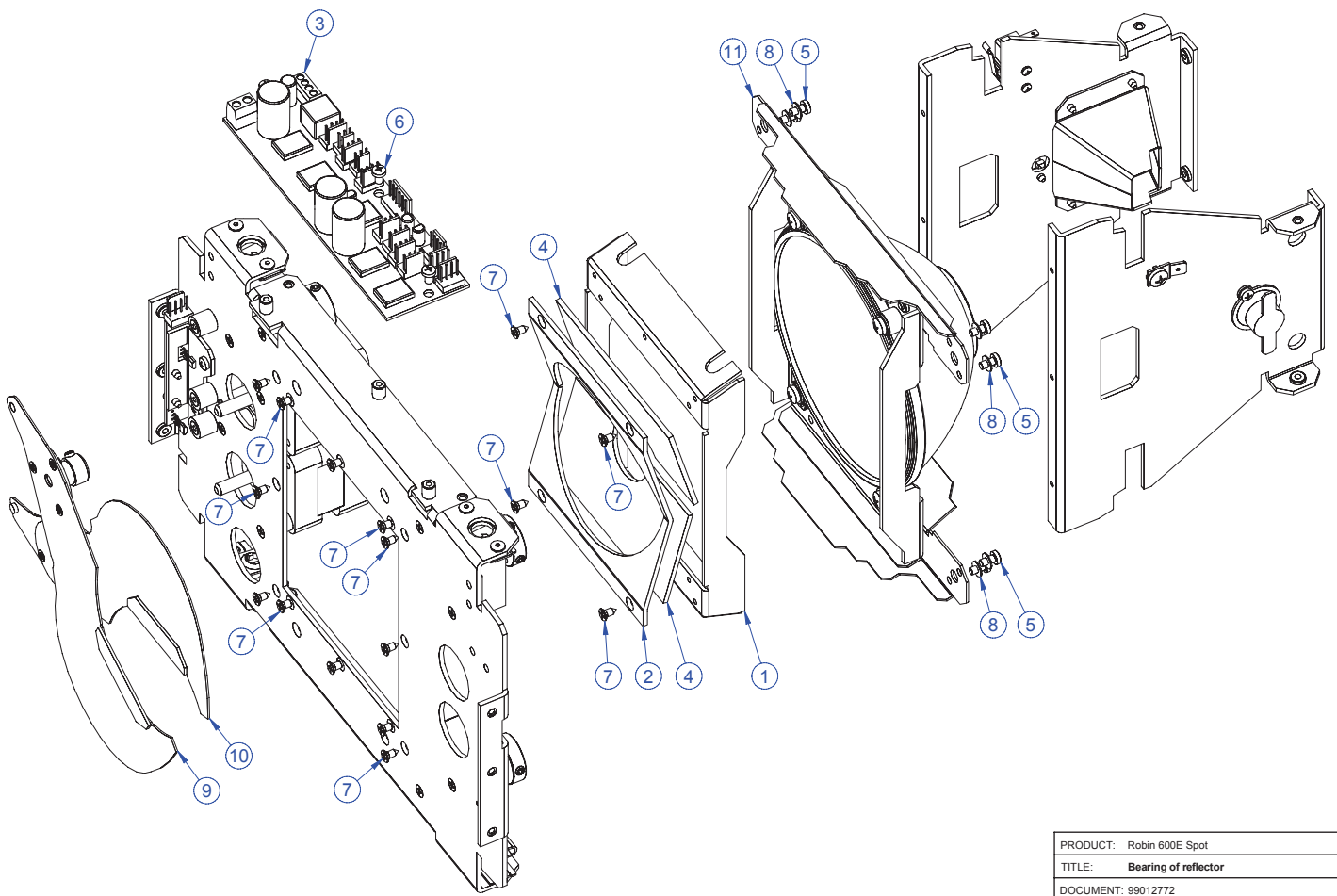
PRODUCT: Robin 600E Spot		
TITLE: Module of cooling - offtake		
DOCUMENT: 99012782		
VERSION: 1	DATE: 10.09.2010	SHEET: 05 OF 34



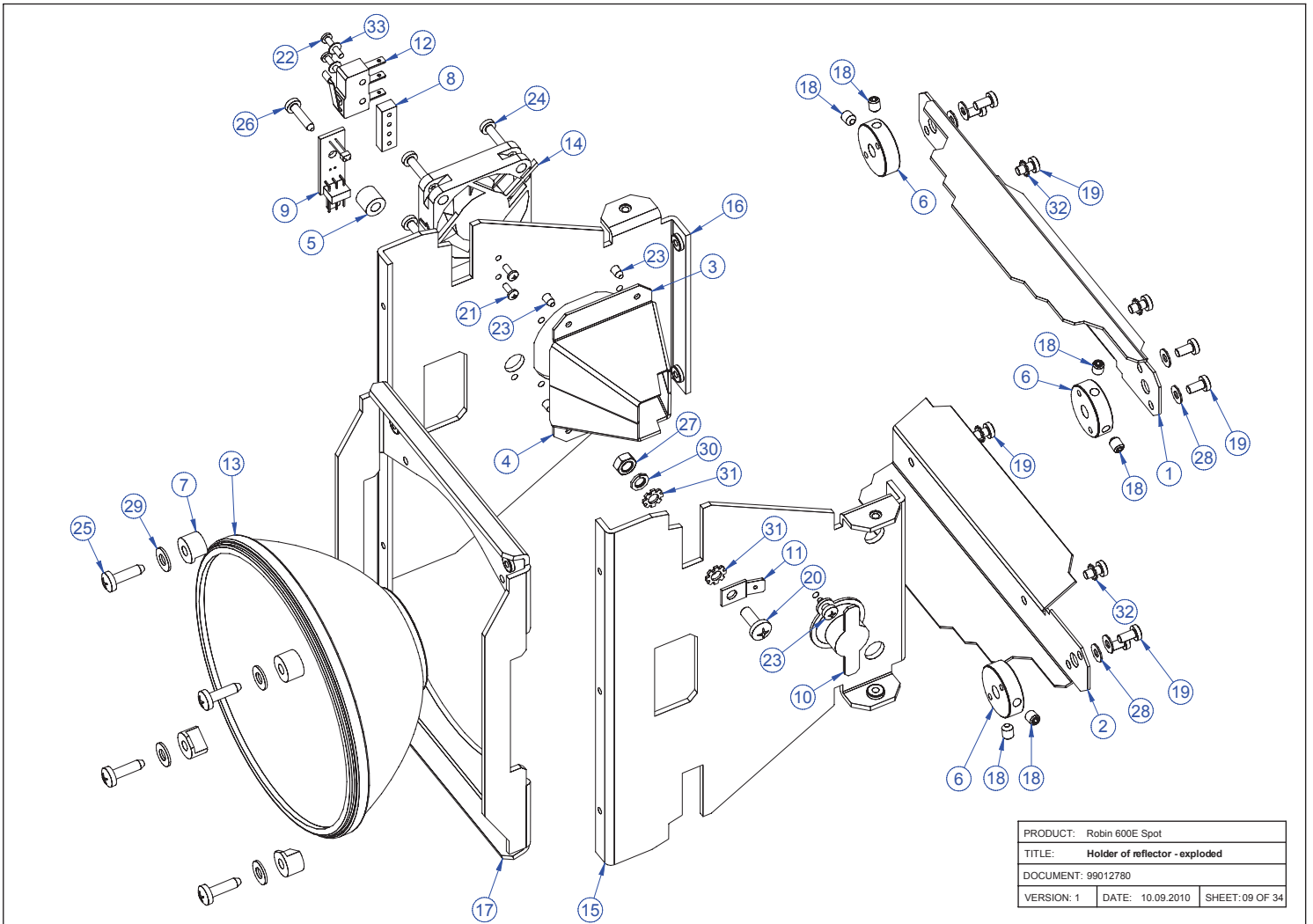
PRODUCT: Robin 600E Spot		
TITLE: Holder of source of light		
DOCUMENT: 99012772		
VERSION: 1	DATE: 10.09.2010	SHEET: 06 OF 34

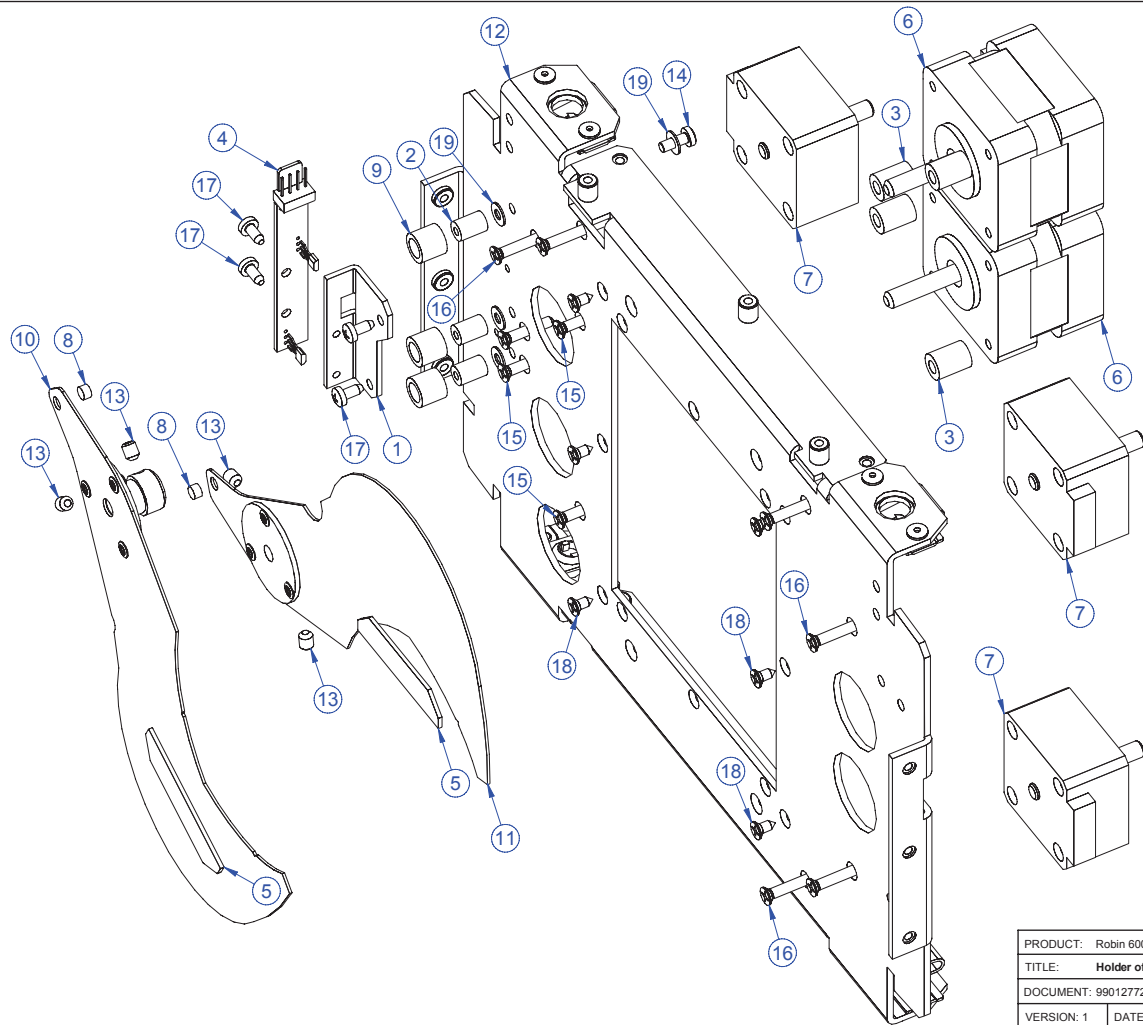


PRODUCT: Robin 600E Spot		
TITLE: Source of light - exploded		
DOCUMENT: 99012787		
VERSION: 1	DATE: 10.09.2010	SHEET: 07 OF 34

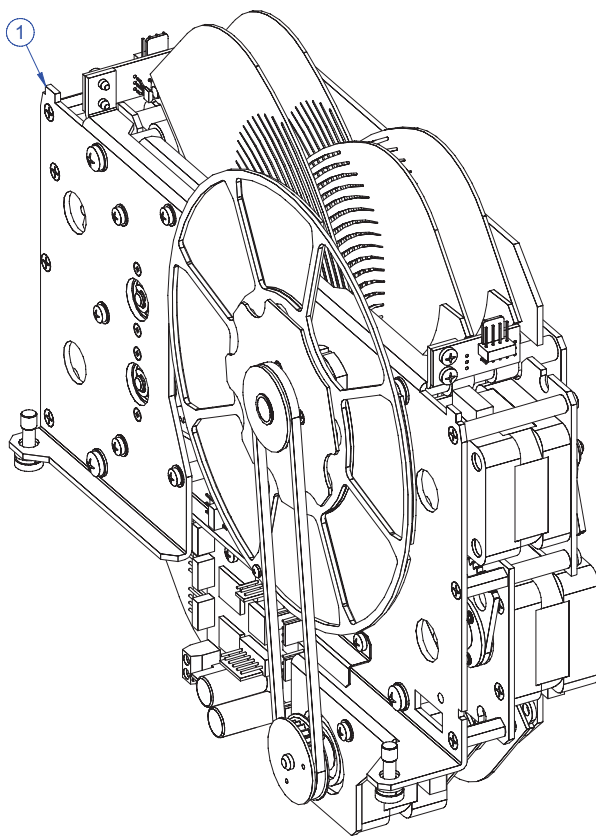


PRODUCT: Robin 600E Spot		
TITLE: Bearing of reflector		
DOCUMENT: 99012772		
VERSION: 1	DATE: 10.09.2010	SHEET: 08 OF 34

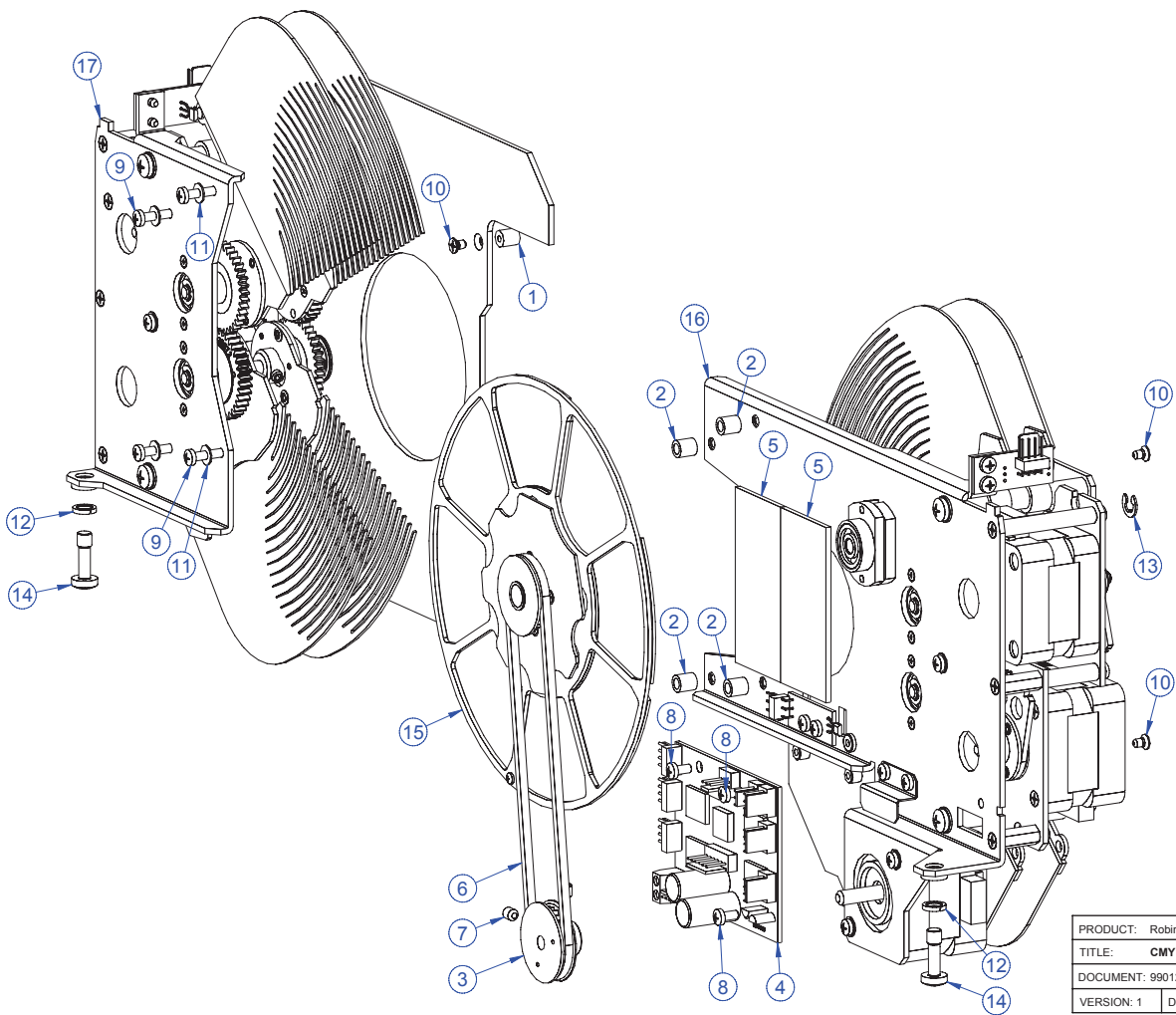




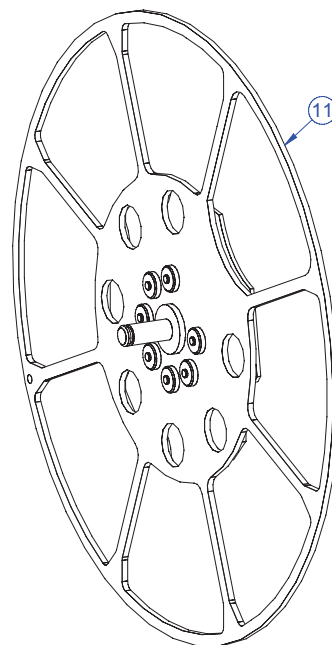
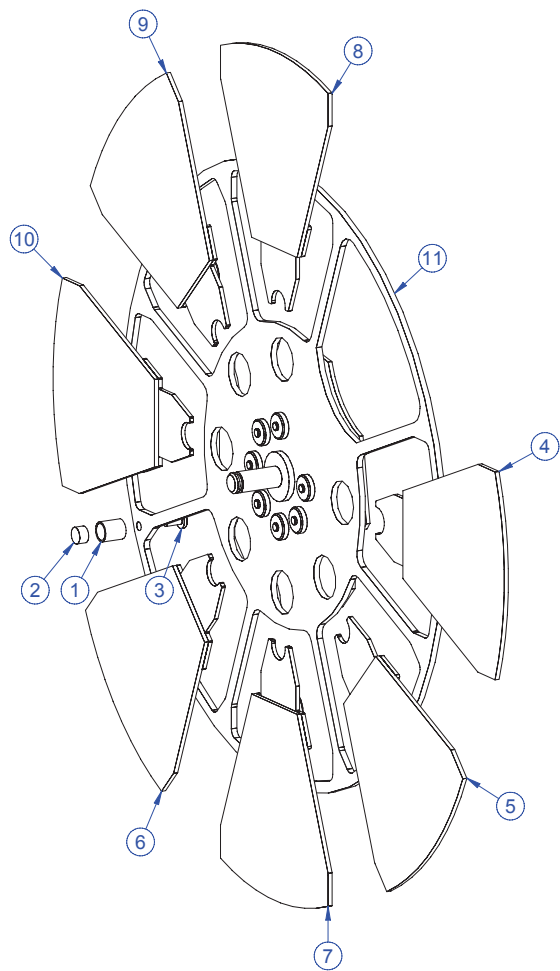
PRODUCT: Robin 600E Spot		
TITLE: Holder of Lamelle		
DOCUMENT: 99012772		
VERSION: 1	DATE: 10.09.2010	SHEET: 10 OF 34



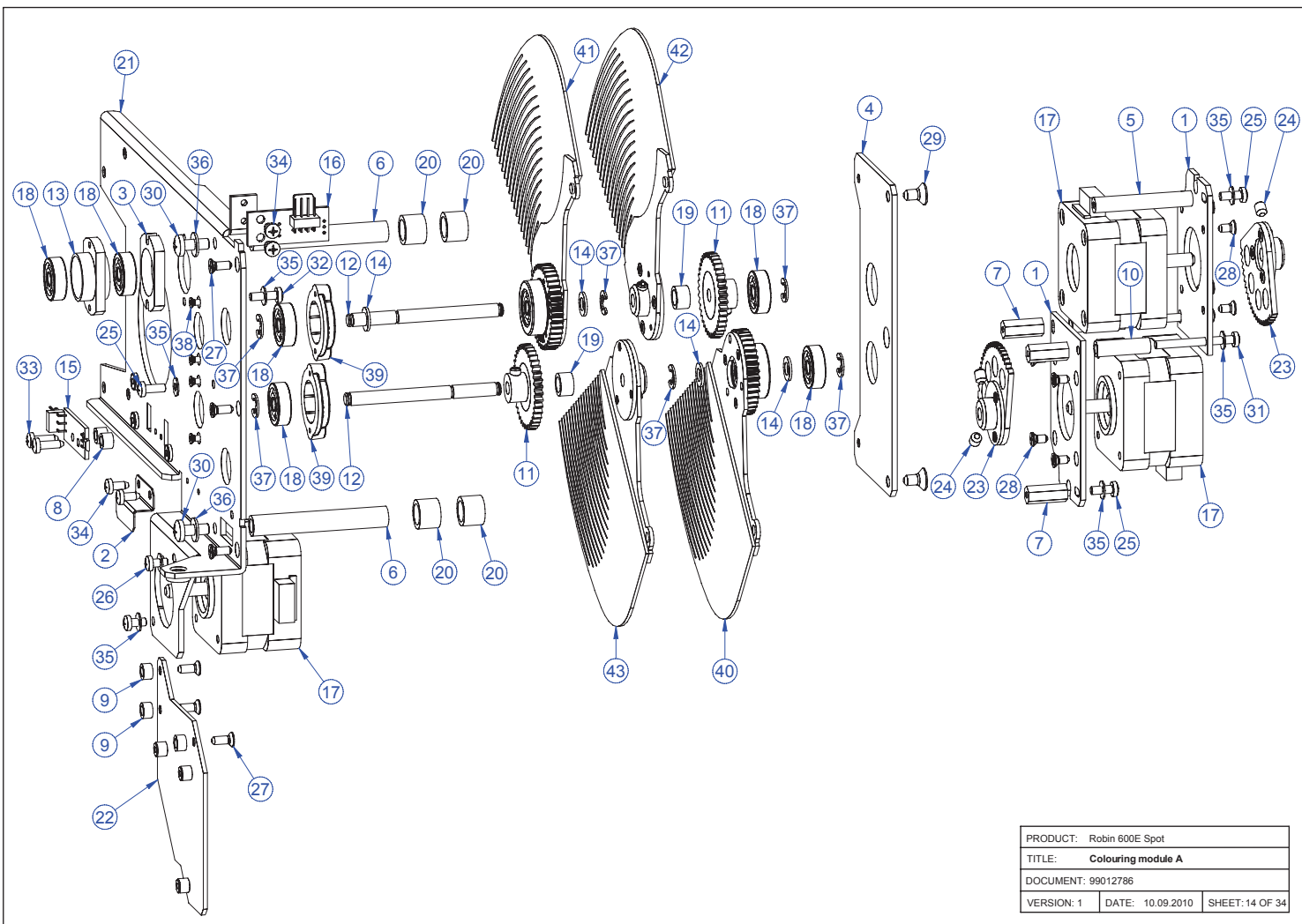
PRODUCT: Robin 600E Spot		
TITLE: CMY mixing system - assembly		
DOCUMENT: 99012772		
VERSION: 1	DATE: 10.09.2010	SHEET: 11 OF 34

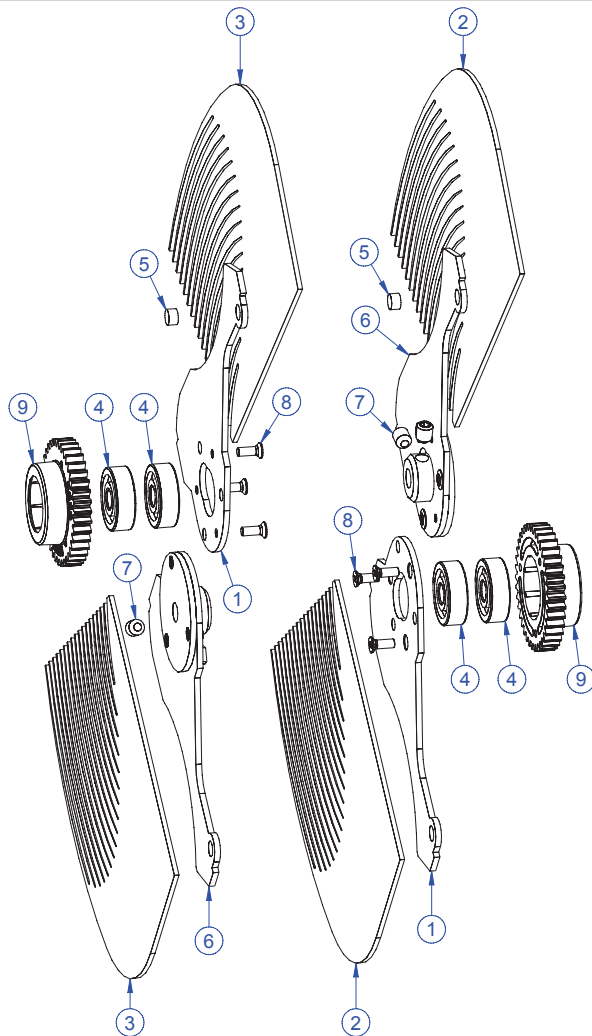


PRODUCT: Robin 600E Spot		
TITLE: CMY mixing system - exploded		
DOCUMENT: 99012786		
VERSION: 1	DATE: 10.09.2010	SHEET: 12 OF 34

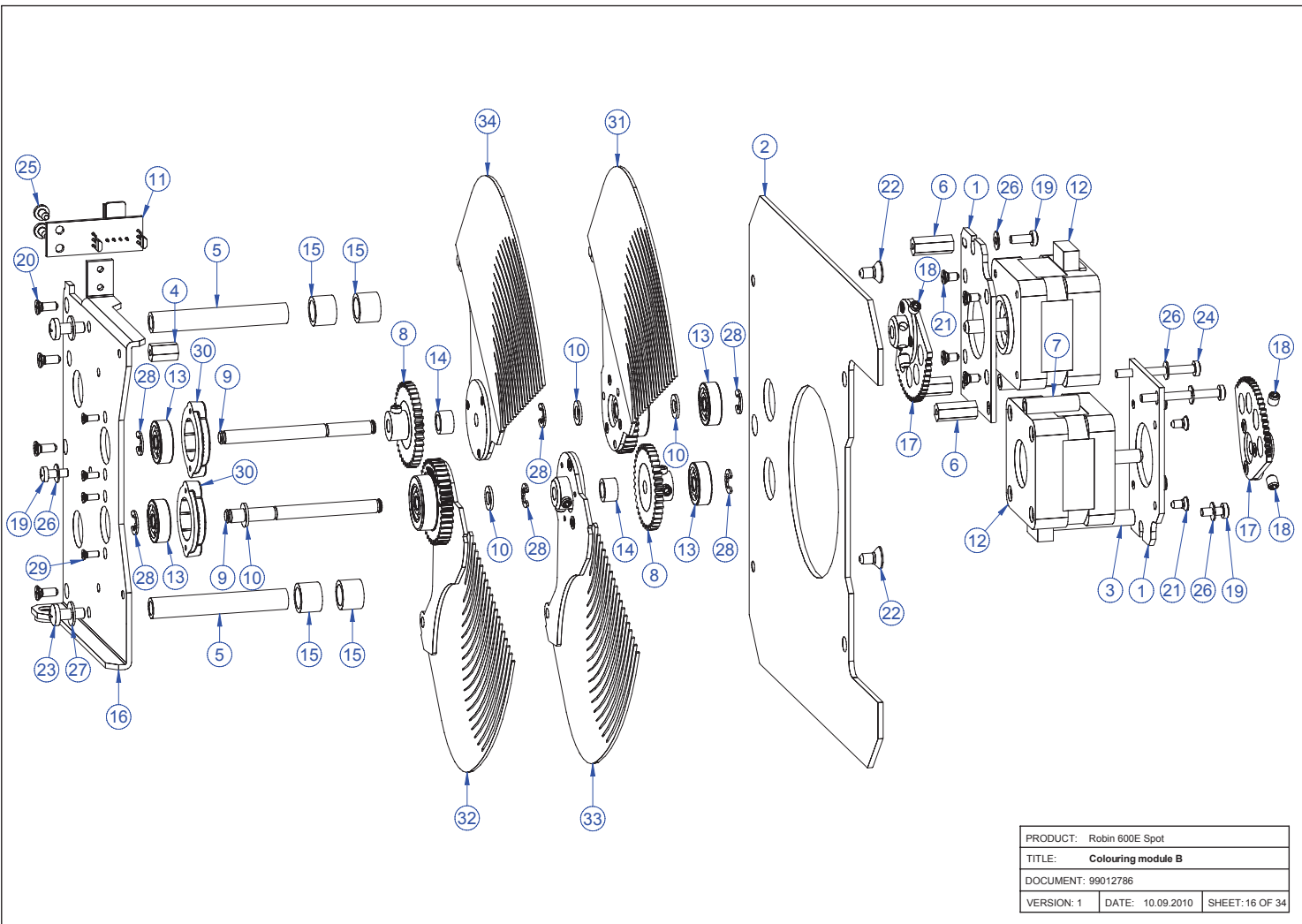


PRODUCT: Robin 600E Spot		
TITLE: Wheel Color 7+1 assembled		
DOCUMENT: 99012470		
VERSION: 1	DATE: 10.09.2010	SHEET: 13 OF 34

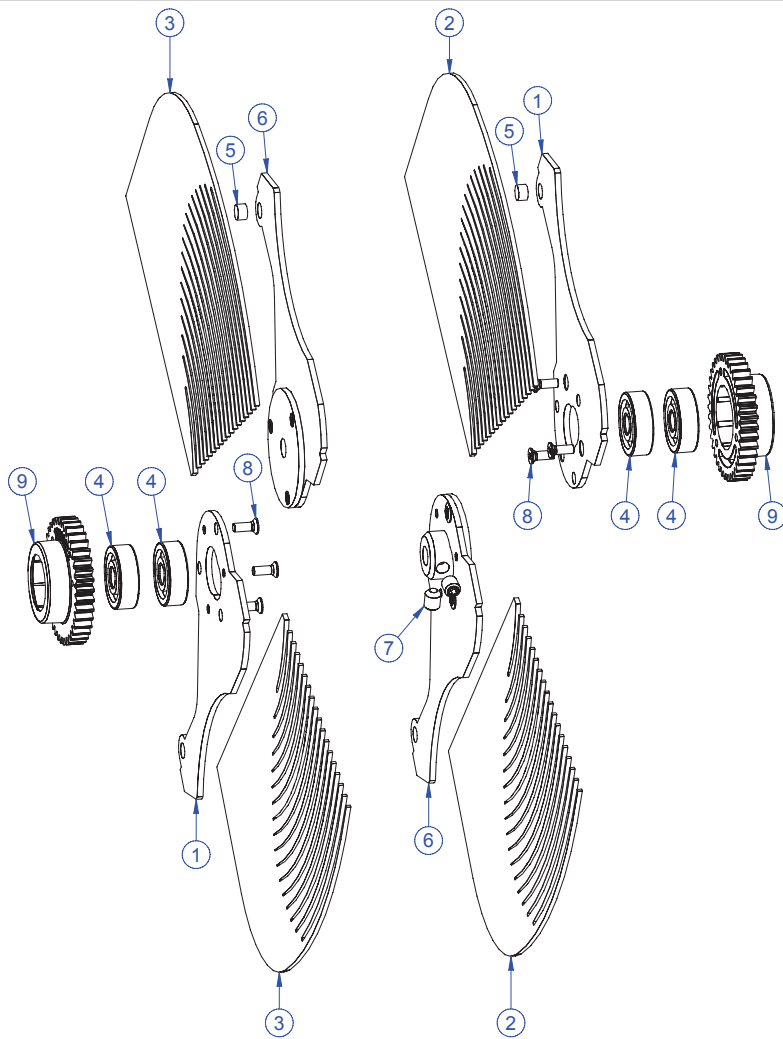




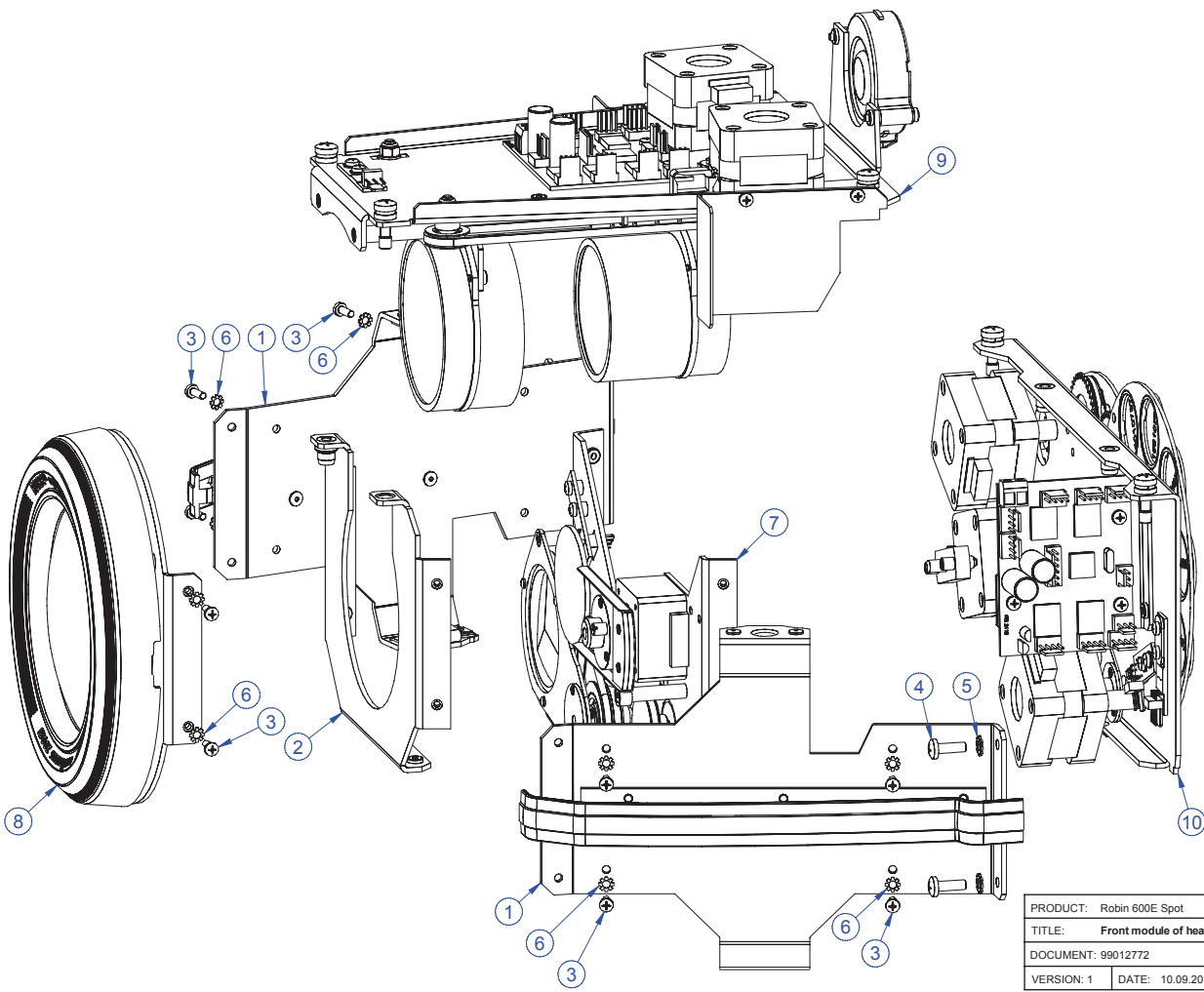
PRODUCT: Robin 600E Spot		
TITLE: Lamelle colouring A		
DOCUMENT: 99012469		
VERSION: 1	DATE: 10.09.2010	SHEET: 15 OF 34



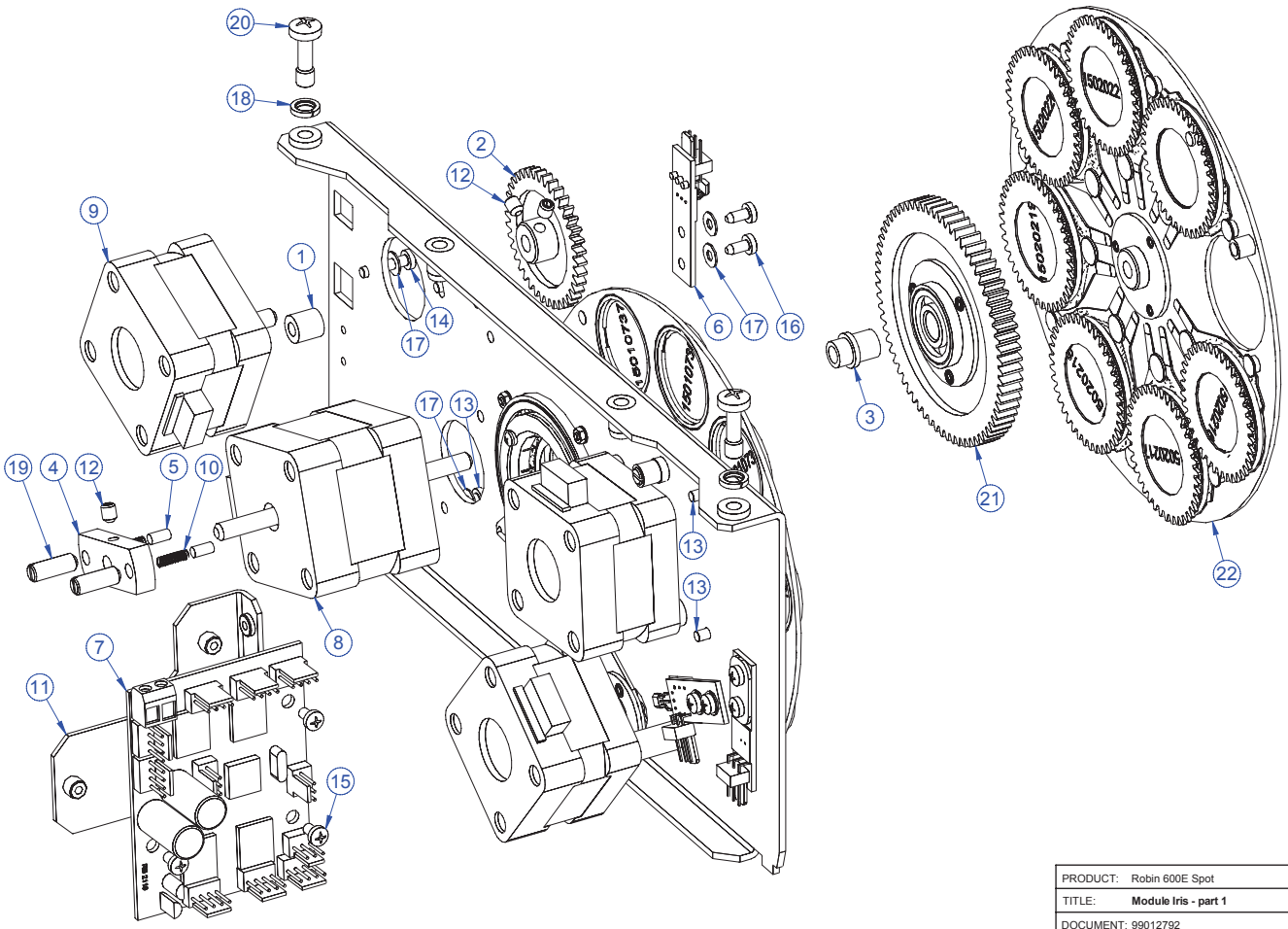
PRODUCT: Robin 600E Spot		
TITLE: Colouring module B		
DOCUMENT: 99012786		
VERSION: 1	DATE: 10.09.2010	SHEET: 16 OF 34



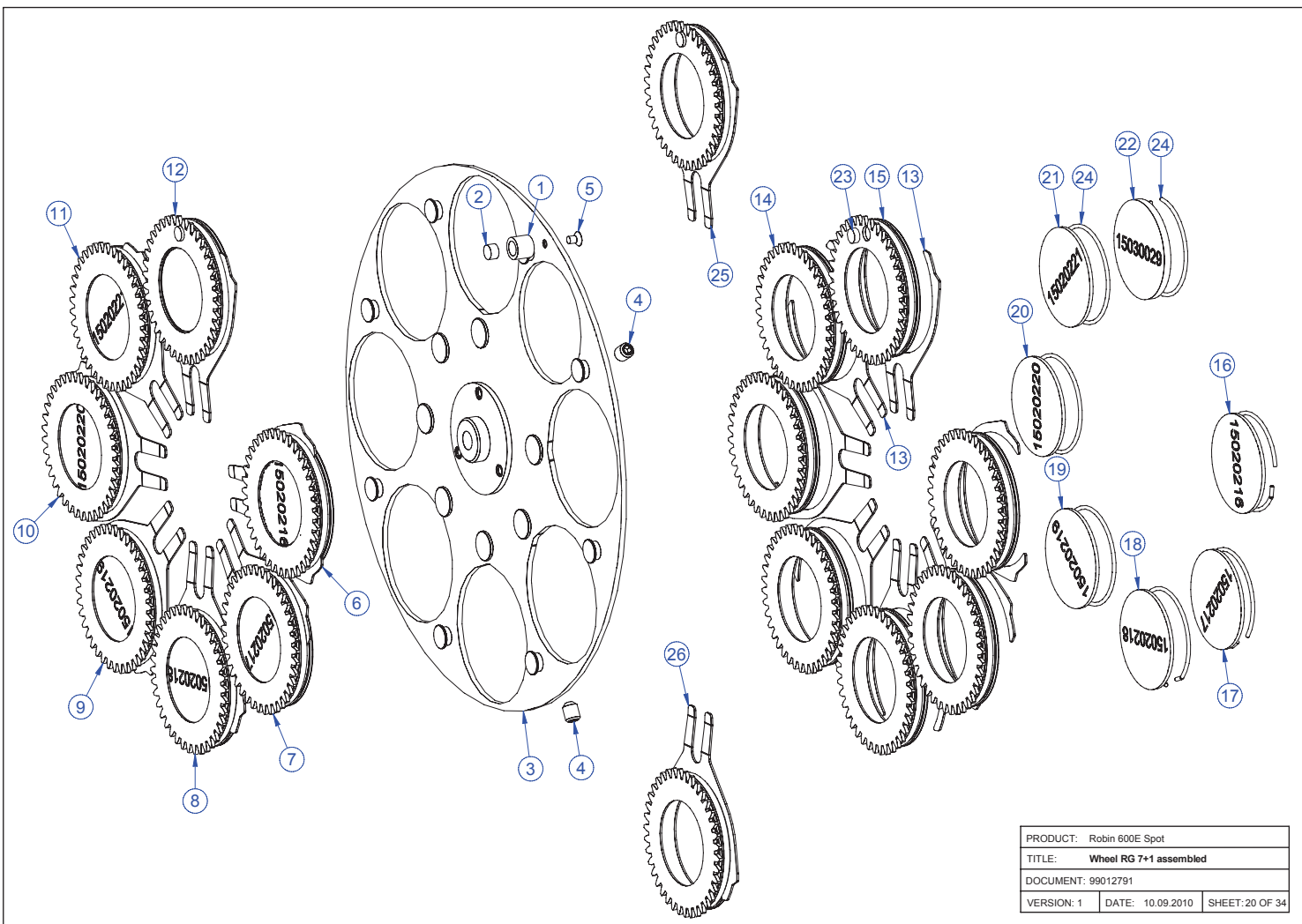
PRODUCT: Robin 600E Spot		
TITLE: Lamelle colouring B		
DOCUMENT: 99012469		
VERSION: 1	DATE: 10.09.2010	SHEET: 17 OF 34



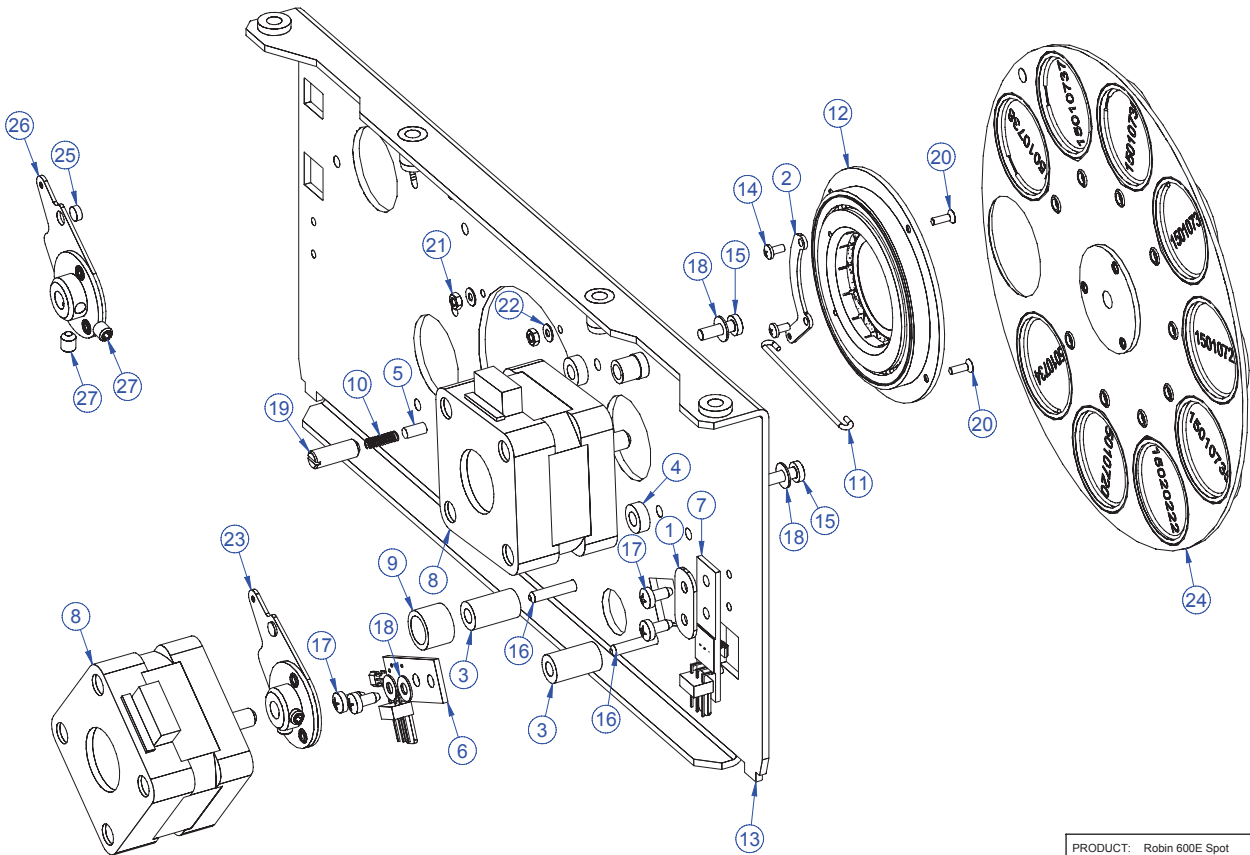
PRODUCT: Robin 600E Spot		
TITLE: Front module of head		
DOCUMENT: 99012772		
VERSION: 1	DATE: 10.09.2010	SHEET: 18 OF 34



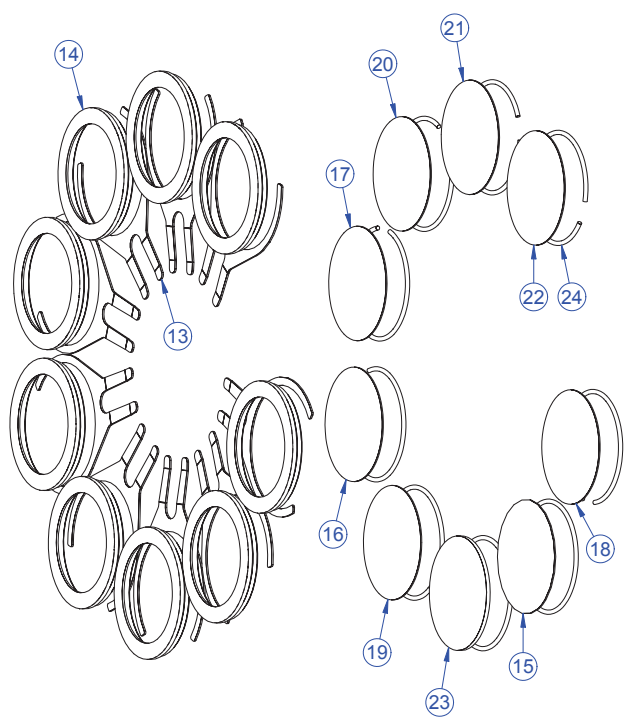
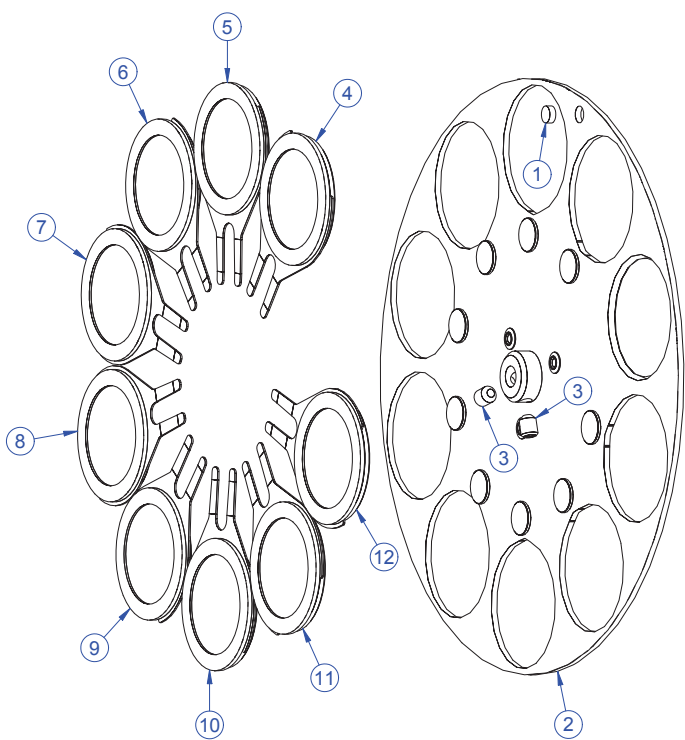
PRODUCT: Robin 600E Spot		
TITLE: Module Iris - part 1		
DOCUMENT: 99012792		
VERSION: 1	DATE: 10.09.2010	SHEET: 19 OF 34



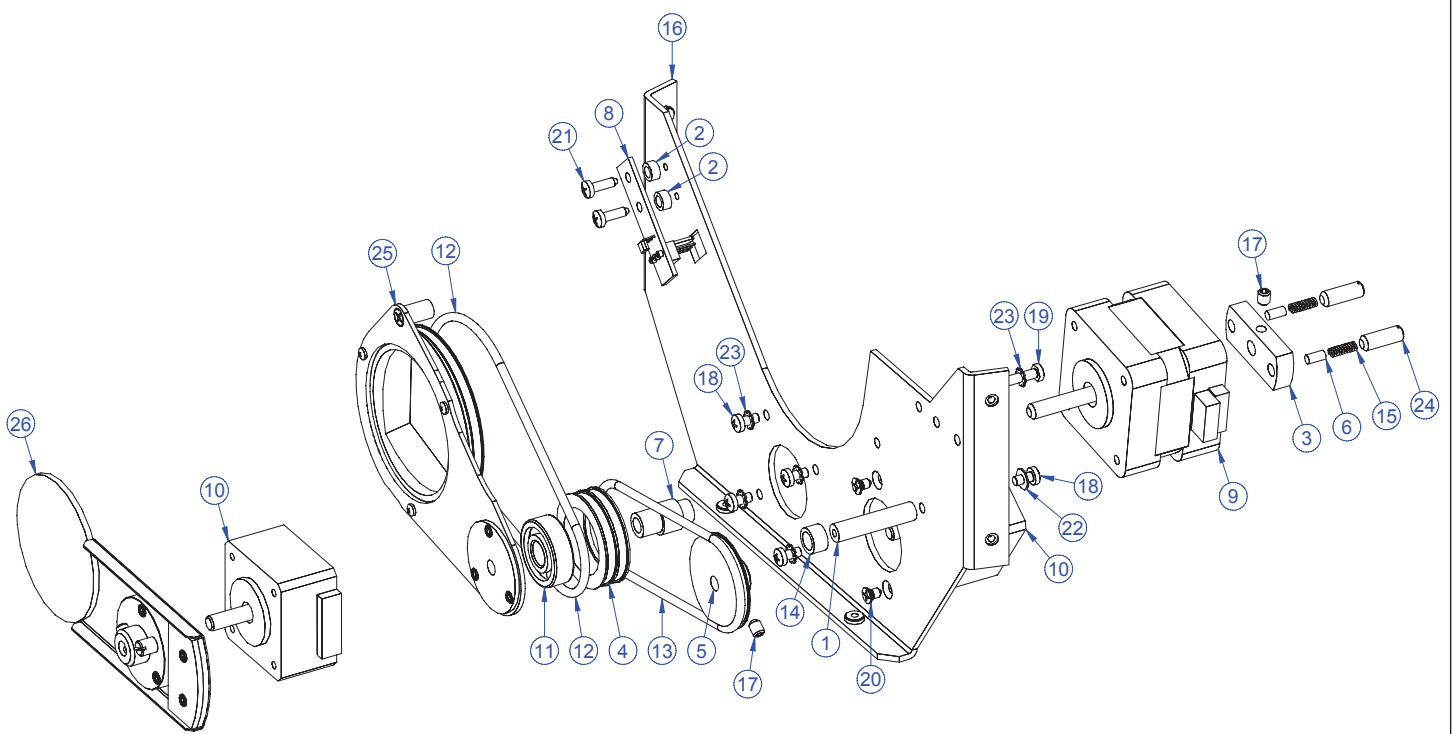
PRODUCT: Robin 600E Spot		
TITLE: Wheel RG 7+1 assembled		
DOCUMENT: 99012791		
VERSION: 1	DATE: 10.09.2010	SHEET: 20 OF 34



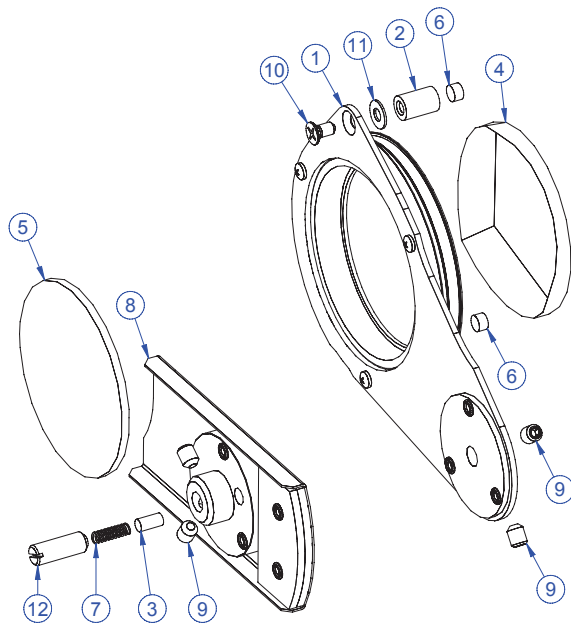
PRODUCT: Robin 600E Spot		
TITLE: Module Iris - part 2		
DOCUMENT: 99012792		
VERSION: 1	DATE: 10.09.2010	SHEET: 21 OF 34



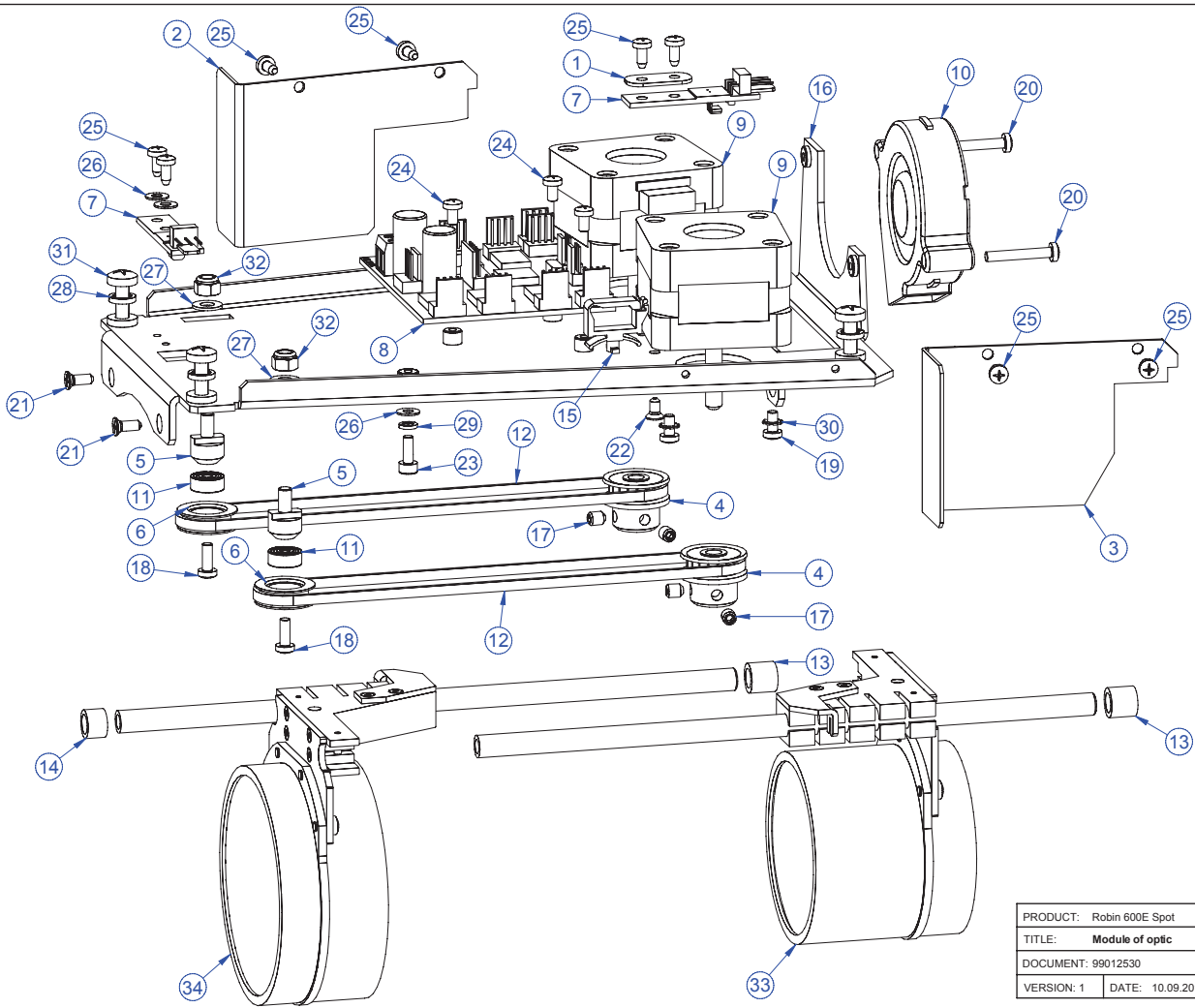
PRODUCT: Robin 600E Spot		
TITLE: Wheel Gobo FG 9+1 assembled		
DOCUMENT: 99012790		
VERSION: 1	DATE: 10.09.2010	SHEET: 22 OF 34



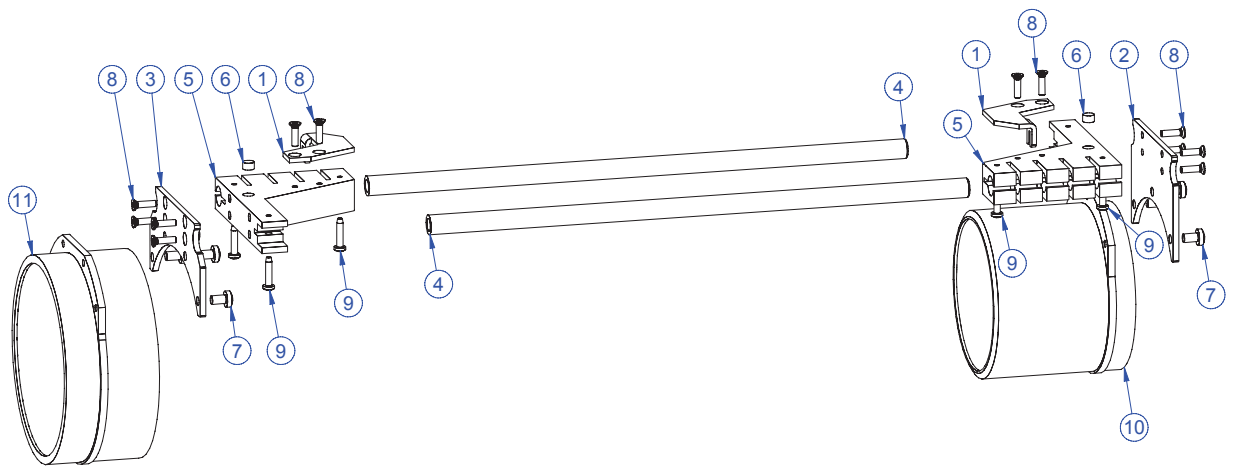
PRODUCT: Robin 600E Spot		
TITLE: Module of prism and lamelle Frost		
DOCUMENT: 99012523		
VERSION: 1	DATE: 10.09.2010	SHEET: 23 OF 34



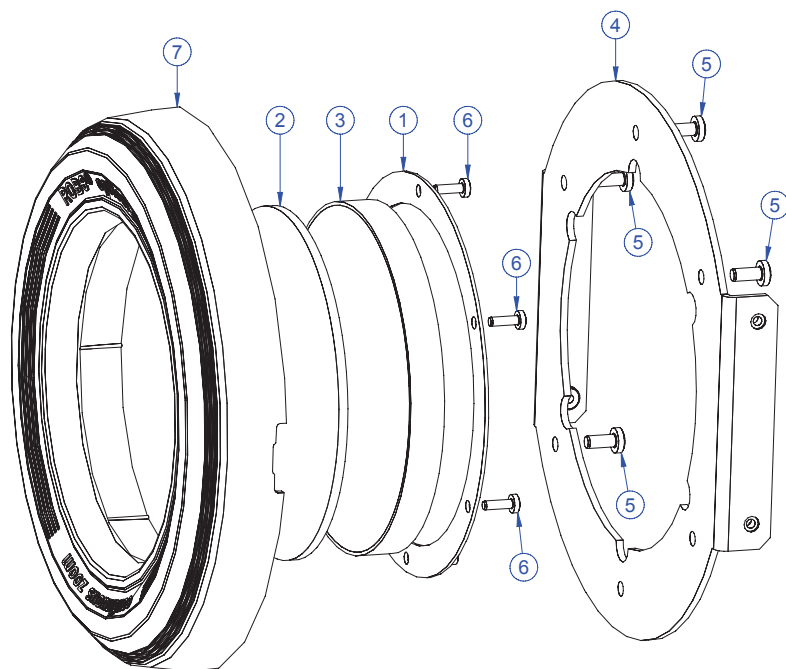
PRODUCT: Robin 600E Spot		
TITLE: Prism and lamelle Frost - exploded		
DOCUMENT: 99012523		
VERSION: 1	DATE: 10.09.2010	SHEET: 24 OF 34



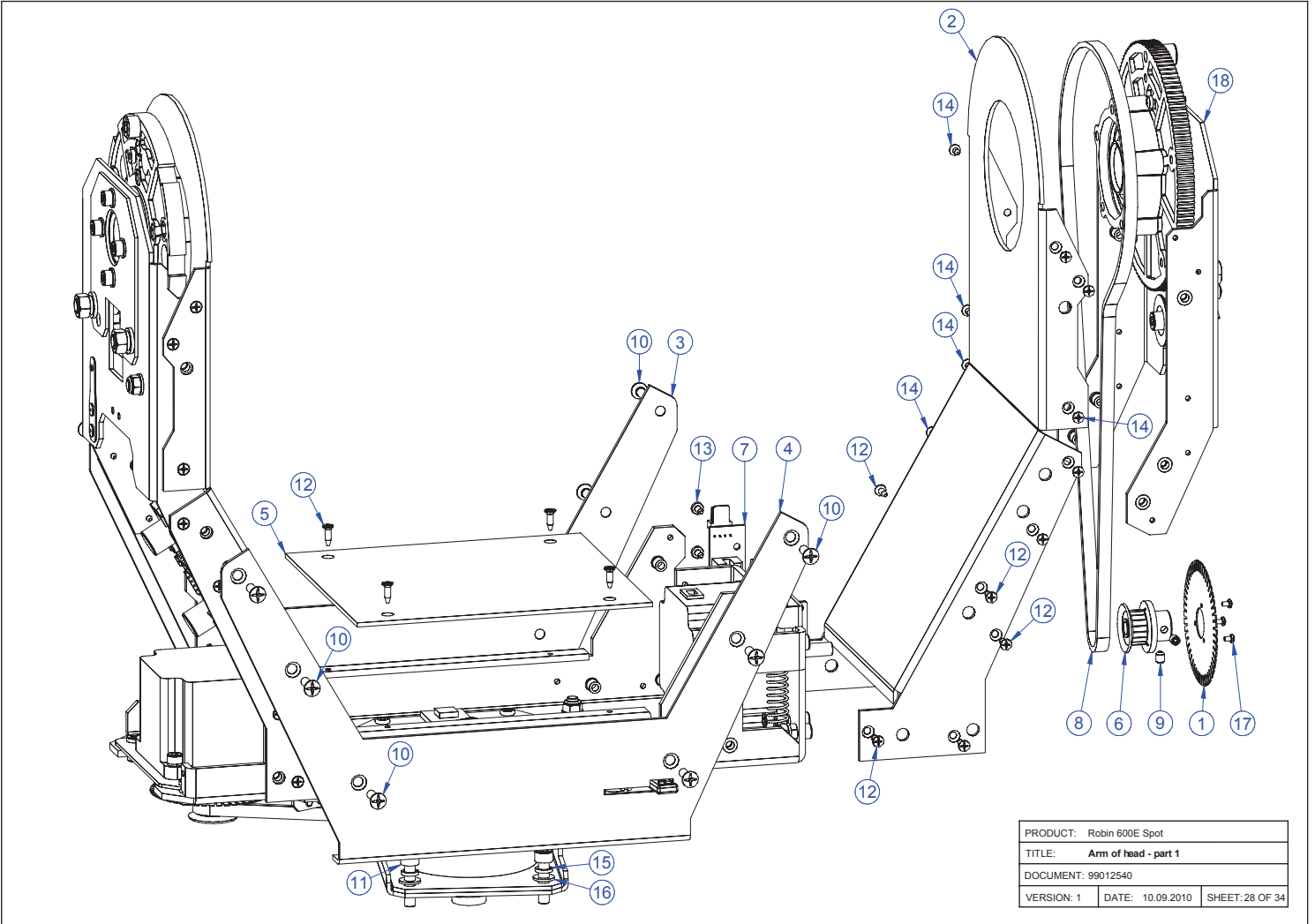
PRODUCT: Robin 600E Spot		
TITLE: Module of optic		
DOCUMENT: 99012530		
VERSION: 1	DATE: 10.09.2010	SHEET: 25 OF 34



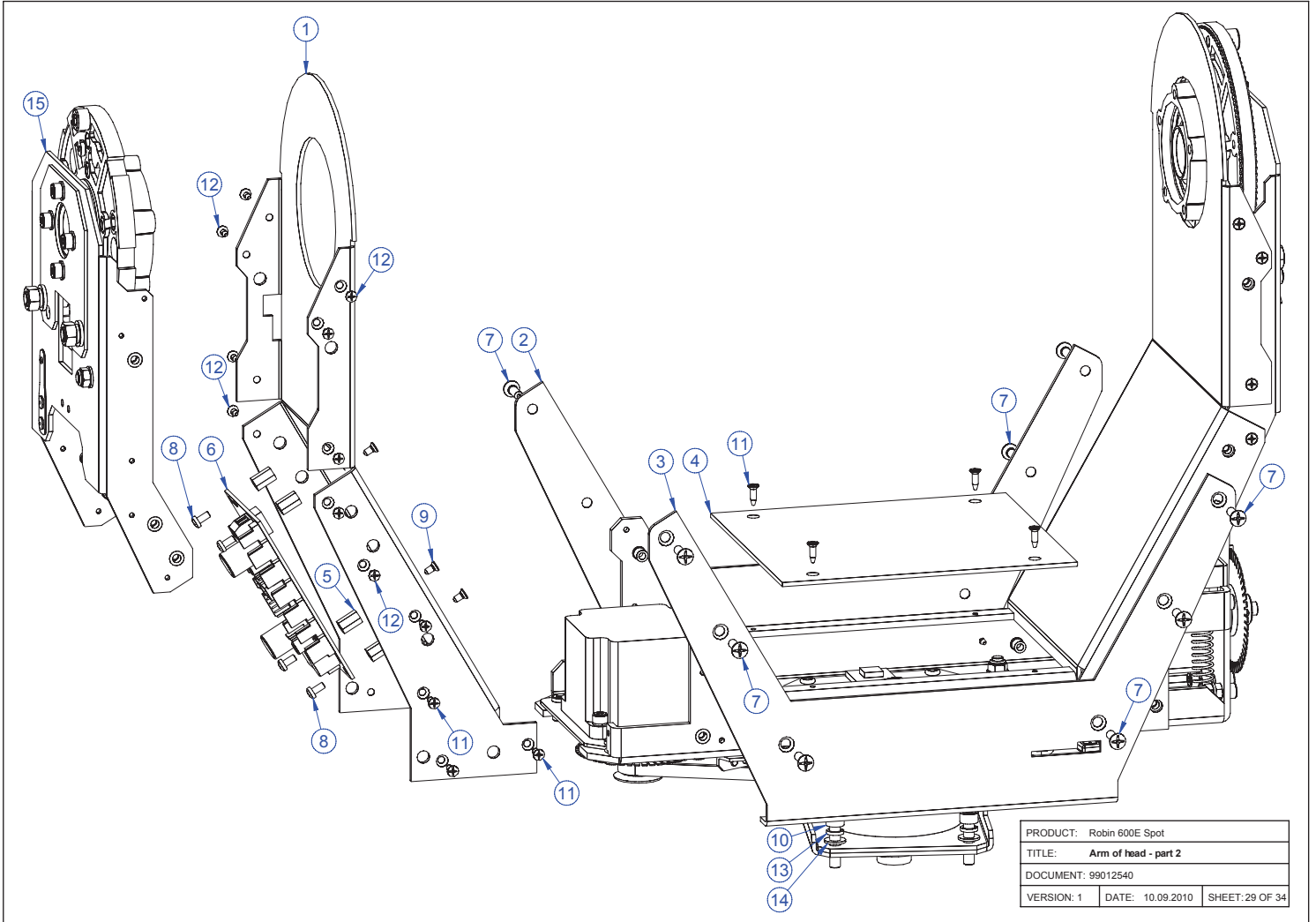
PRODUCT: Robin 600E Spot		
TITLE: Holder of Focus and Zoom		
DOCUMENT: 99012535		
VERSION: 1	DATE: 10.09.2010	SHEET: 26 OF 34

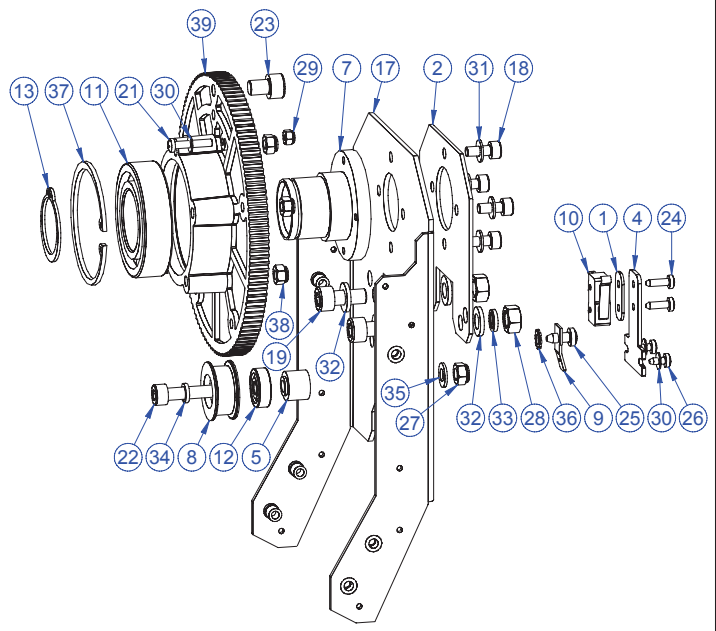
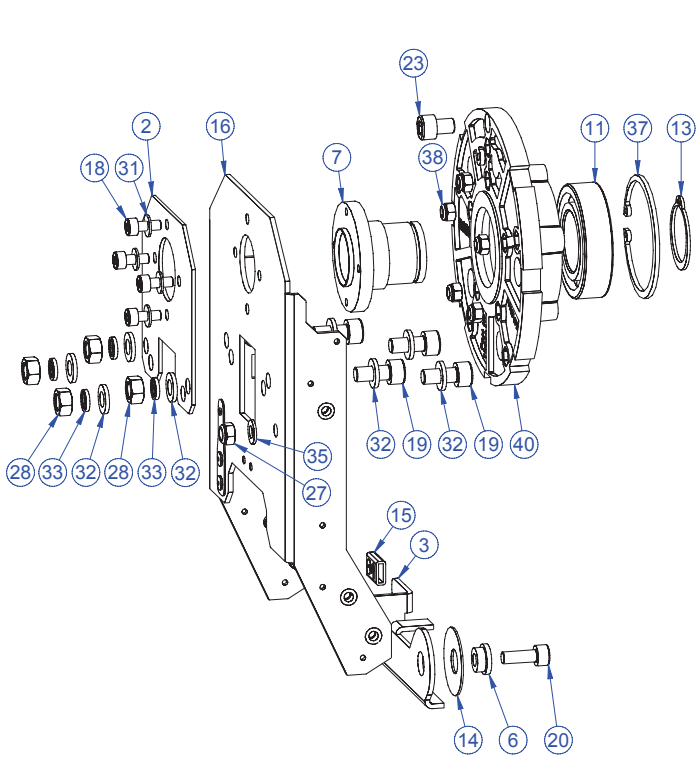


PRODUCT: Robin 600E Spot		
TITLE: Holder of objective		
DOCUMENT: 99012524		
VERSION: 1	DATE: 10.09.2010	SHEET: 27 OF 34

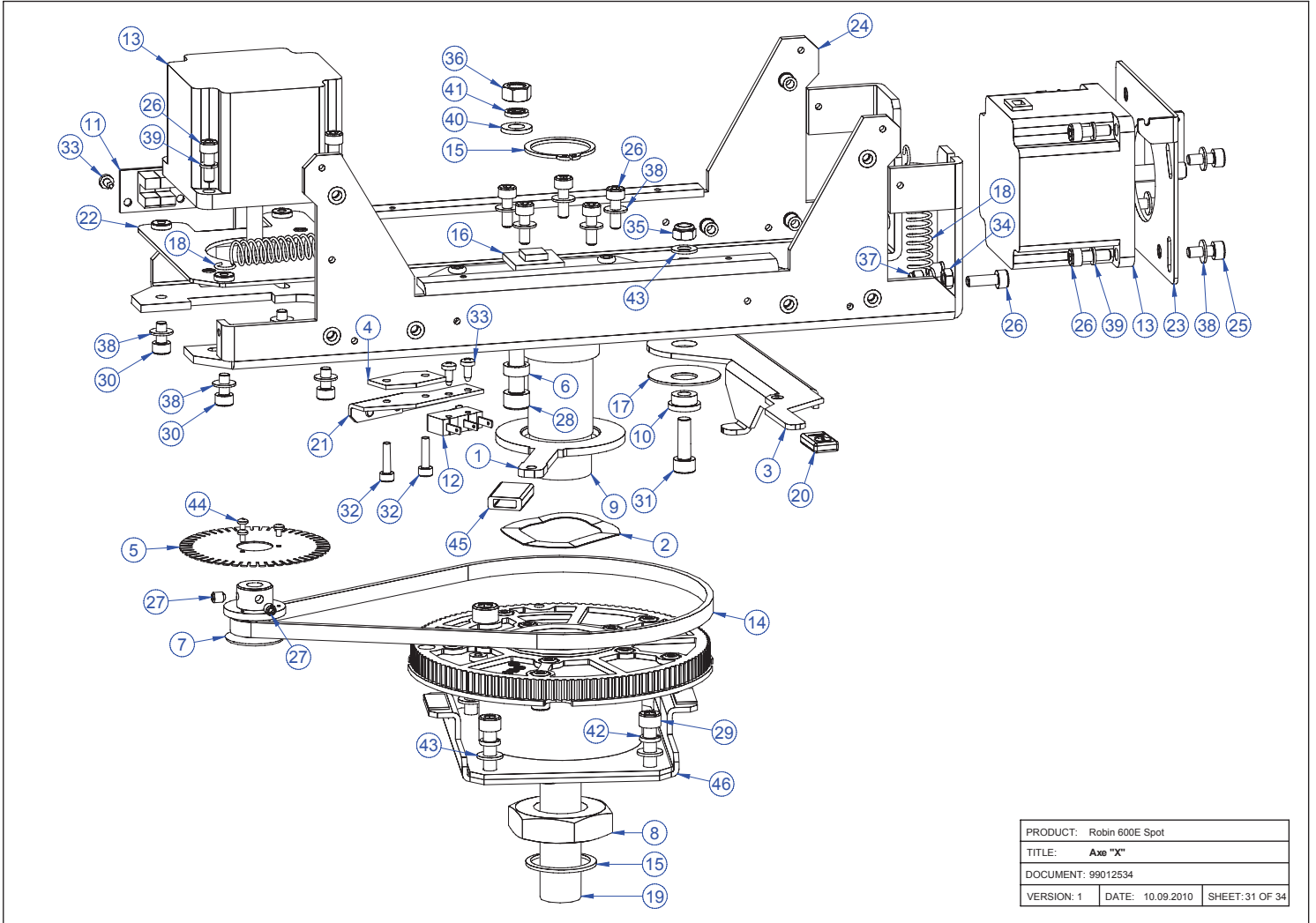


PRODUCT: Robin 600E Spot		
TITLE: Arm of head - part 1		
DOCUMENT: 99012540		
VERSION: 1	DATE: 10.09.2010	SHEET: 28 OF 34

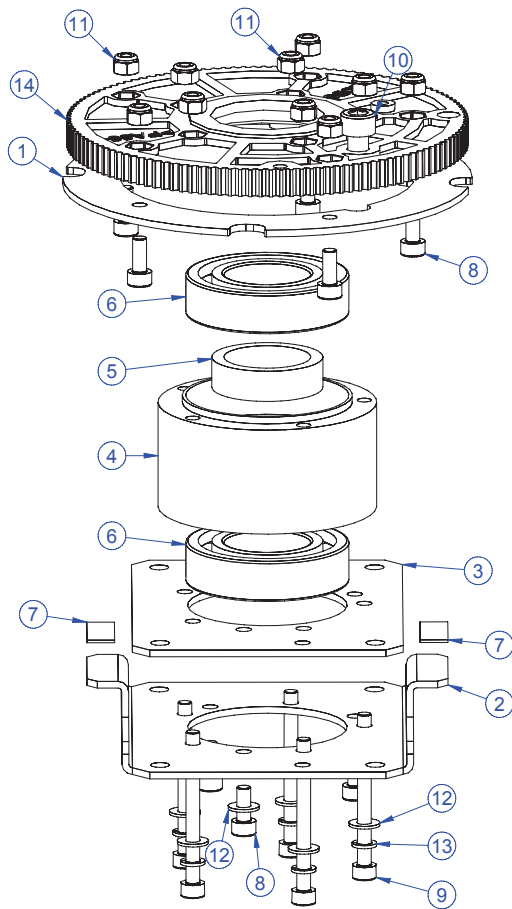




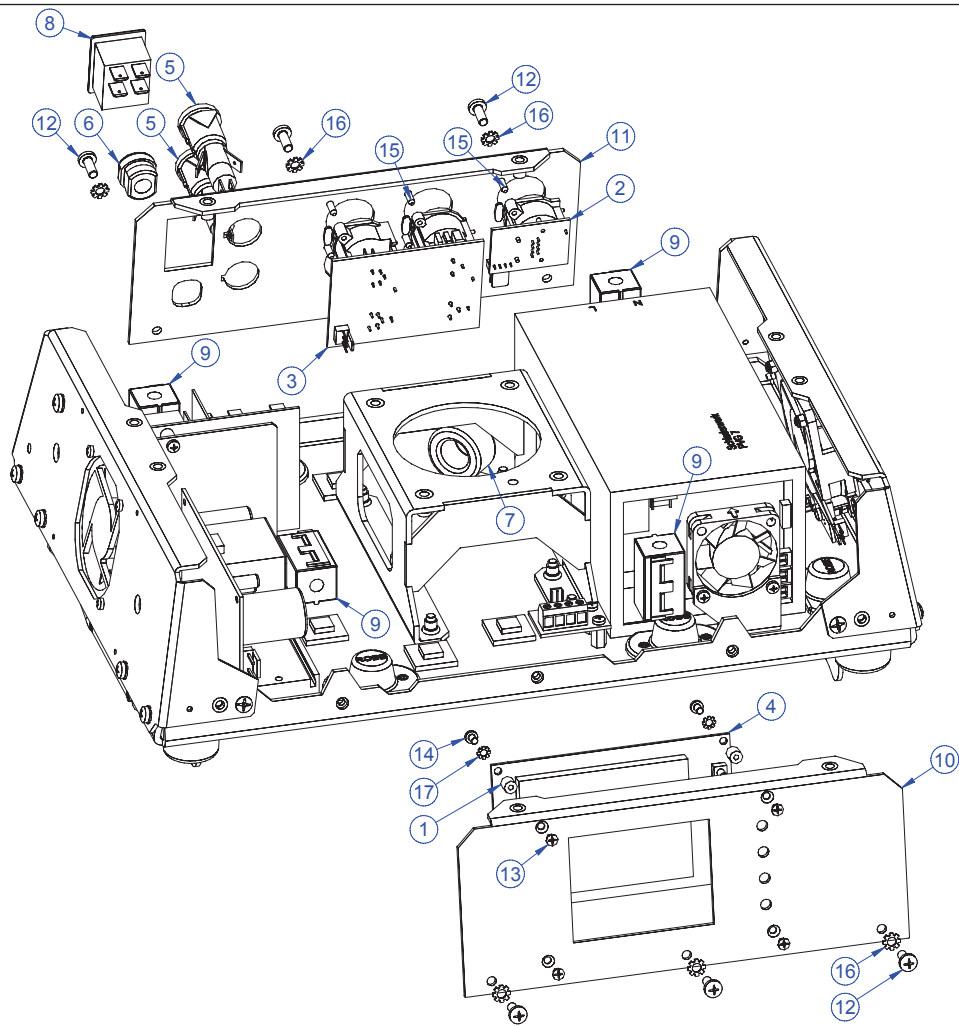
PRODUCT: Robin 600E Spot		
TITLE: Arm of axe "Y"		
DOCUMENT: 99012504		
VERSION: 1	DATE: 10.09.2010	SHEET: 30 OF 34



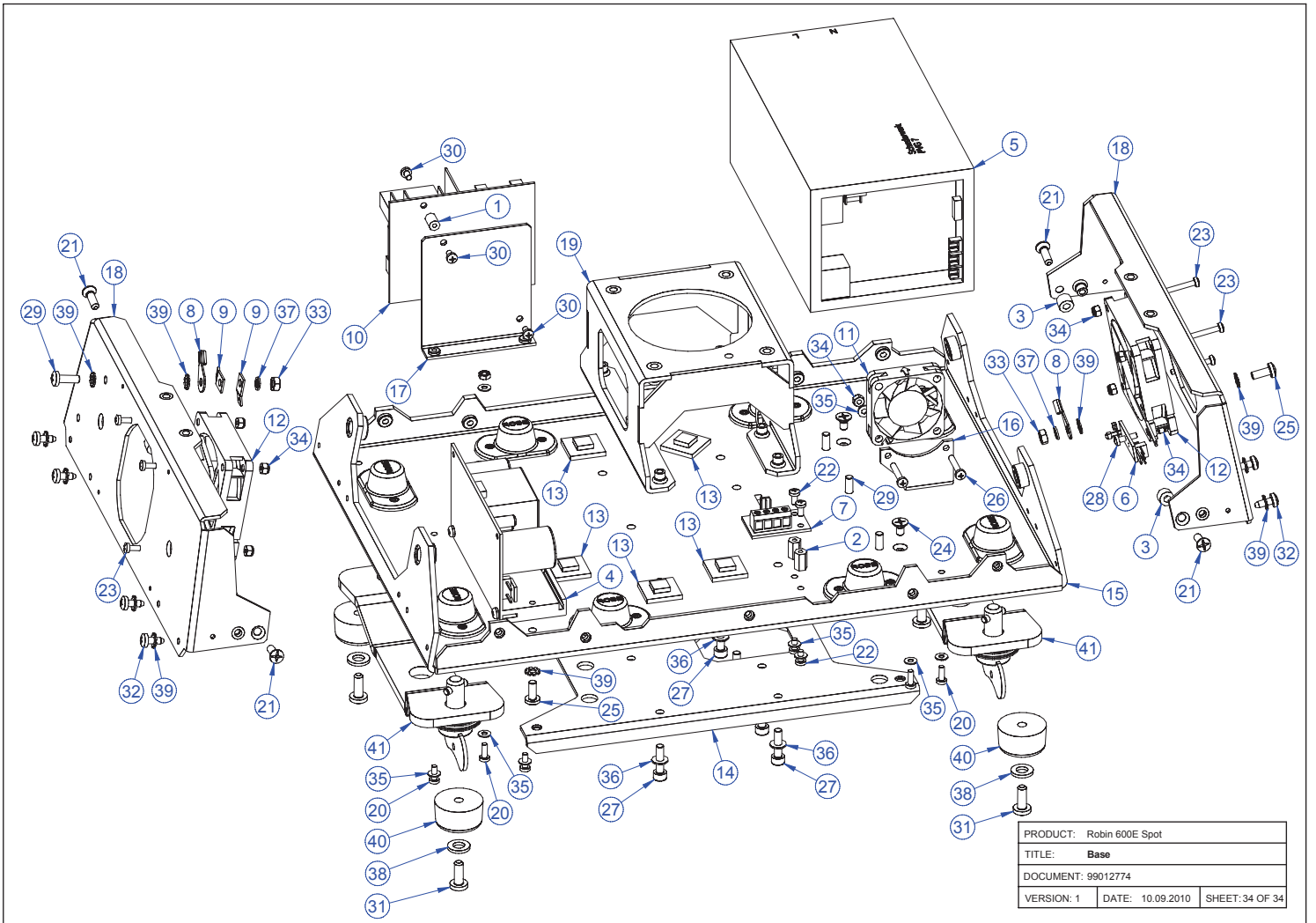
PRODUCT: Robin 600E Spot		
TITLE: Axe "X"		
DOCUMENT: 99012534		
VERSION: 1	DATE: 10.09.2010	SHEET: 31 OF 34



PRODUCT: Robin 600E Spot		
TITLE: Holder of toothwheel		
DOCUMENT: 99012533		
VERSION: 1	DATE: 10.09.2010	SHEET: 32 OF 34



PRODUCT: Robin 600E Spot		
TITLE: Front and rear panel of base		
DOCUMENT: 99012724		
VERSION: 1	DATE: 10.09.2010	SHEET: 33 OF 34



PRODUCT: Robin 600E Spot		
TITLE: Base		
DOCUMENT: 99012774		
VERSION: 1	DATE: 10.09.2010	SHEET: 34 OF 34